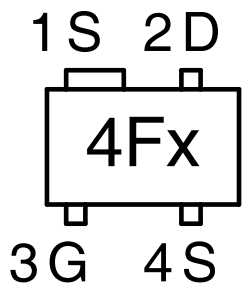
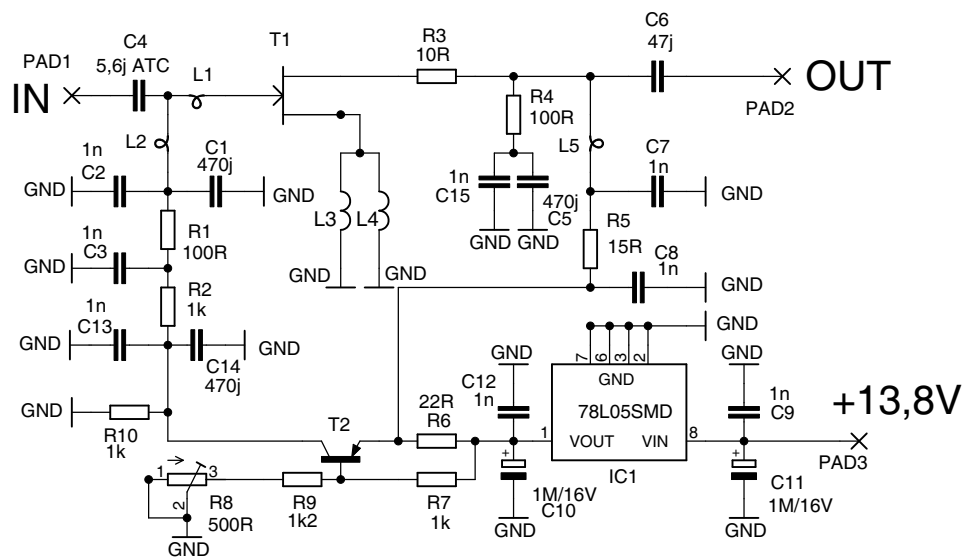


432 MHz High IP LNA - 0,4dB N/F

- L1 - Cu tap 1,5mm wide - 5mm lenght na PCB
- L2 - 3 turn. CuAg dia.0,2mm na dia 2mm
- L3, 4 - 1/2 turn CuL dia.0,1mm on dia.1,5mm
- L5 - 4turn CuL dia. 0,2mm on dia.2mm

C4 - ATC chip - 5,6j



Final version	432MHz ATF54143
	15.7.2011 7:38:26
	Sheet: 1/1