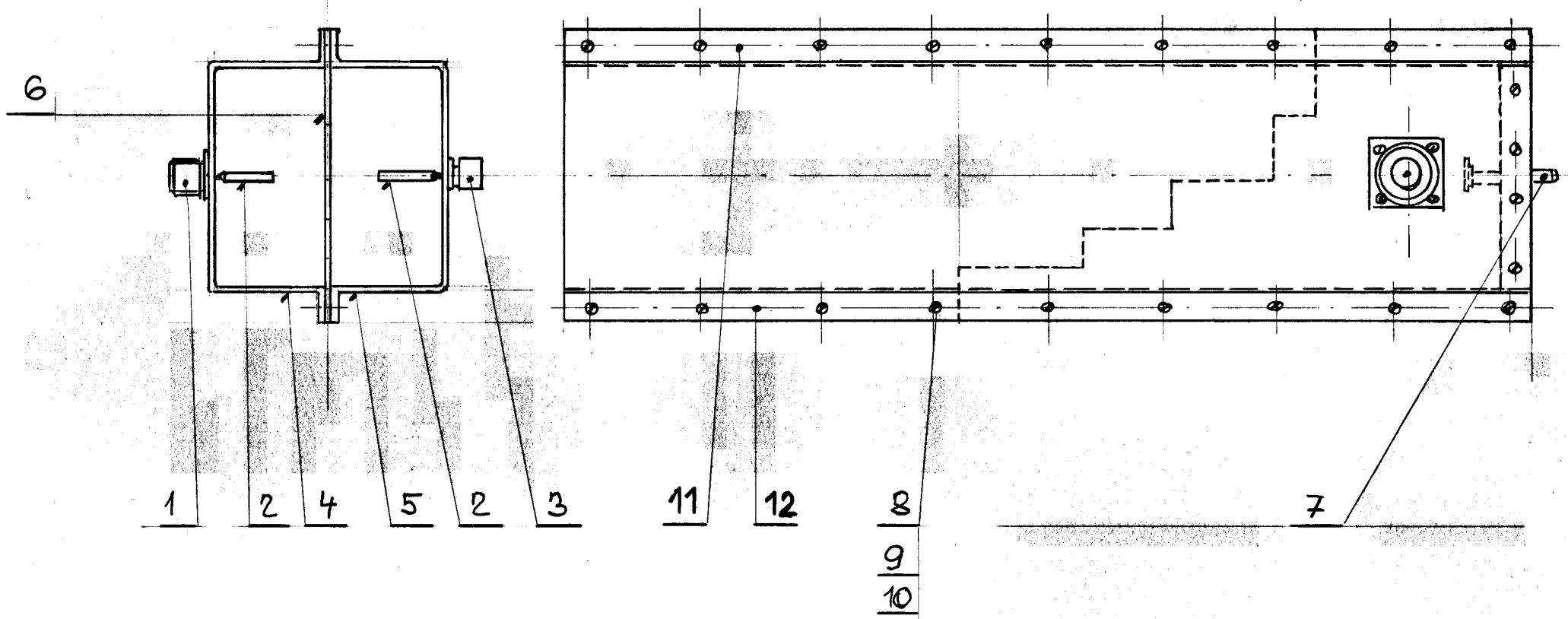
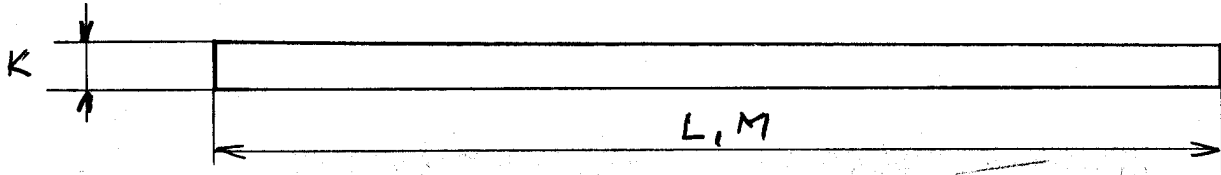
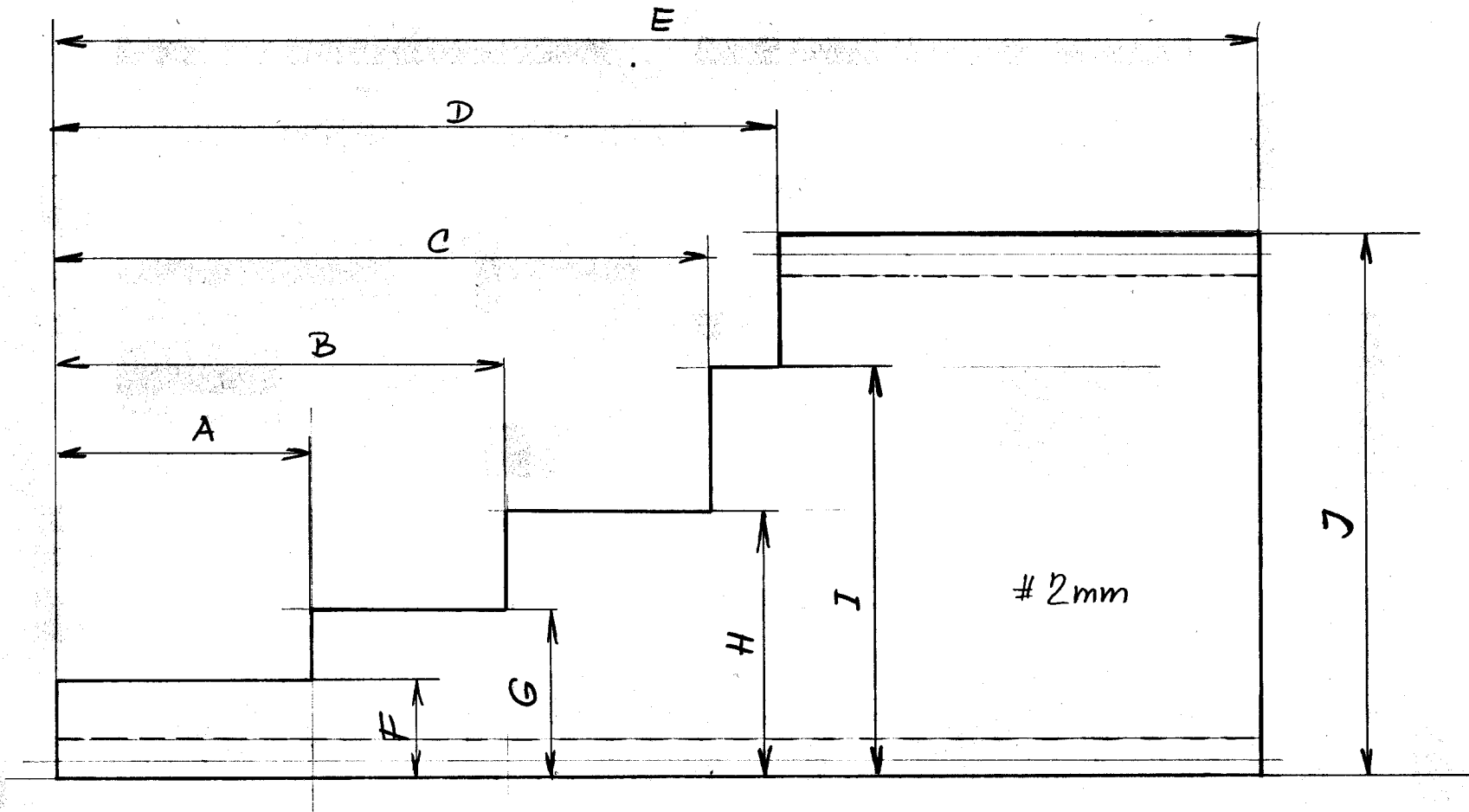


ASSEMBLY OF SEPTUM POLARIZER FEED

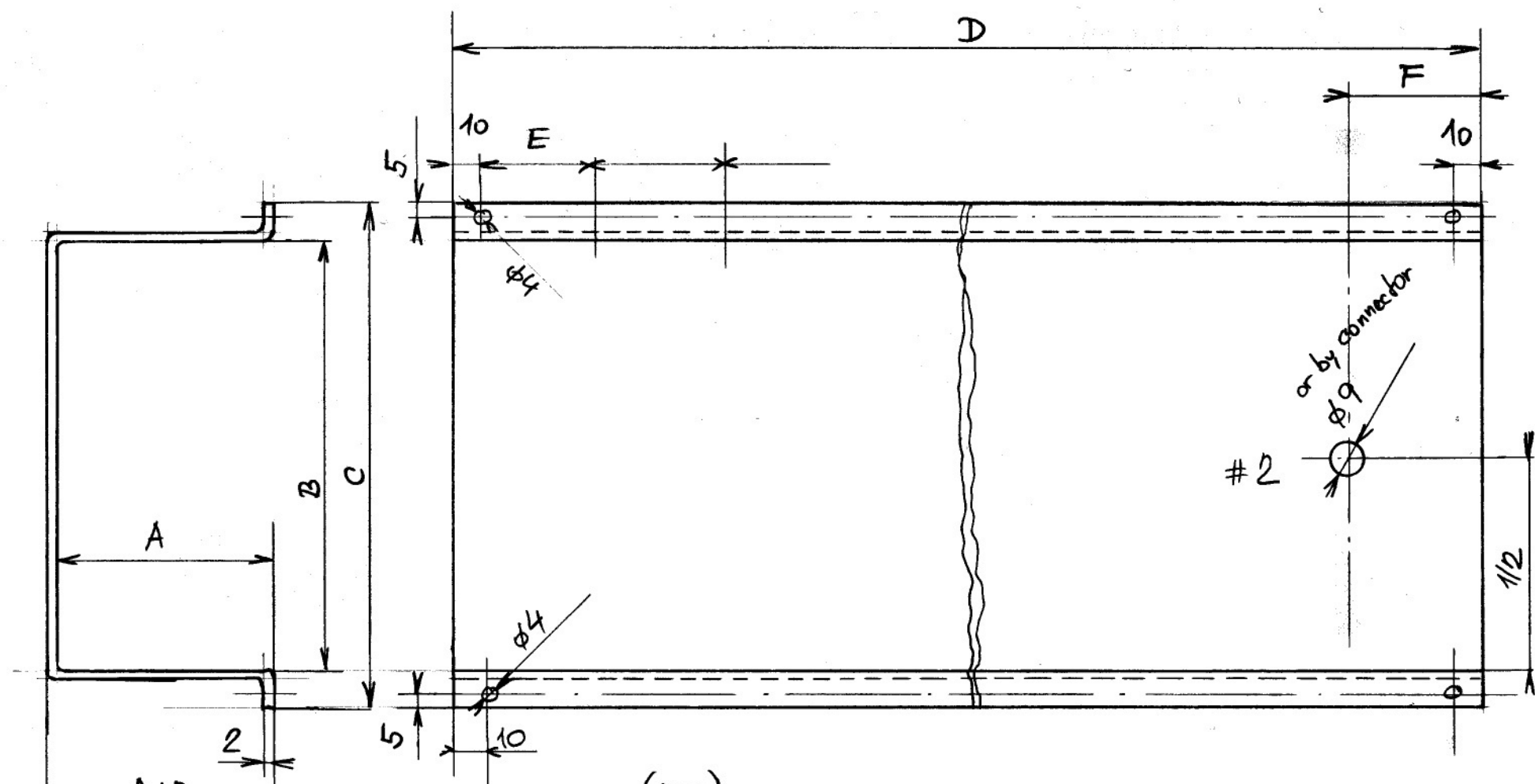


TRANSFORMERS PART OF SEPTUM



BAND	(mm)											2Pcs	2Pcs
	A	B	C	D	E	F	G	H	I	J	K	L	M
1296	78	138	201	222	370	31 ^v	53 ^v	82 ^v	126 ^v	169 ^v	12 ^v	232	454
2320	44	77	112	124	207	22	35	51	75	105	12	129	253

SITES OF FEED

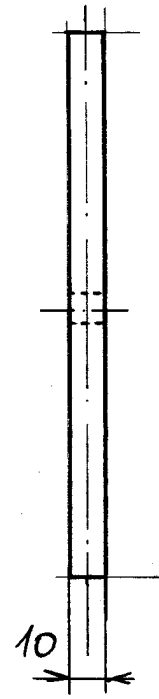
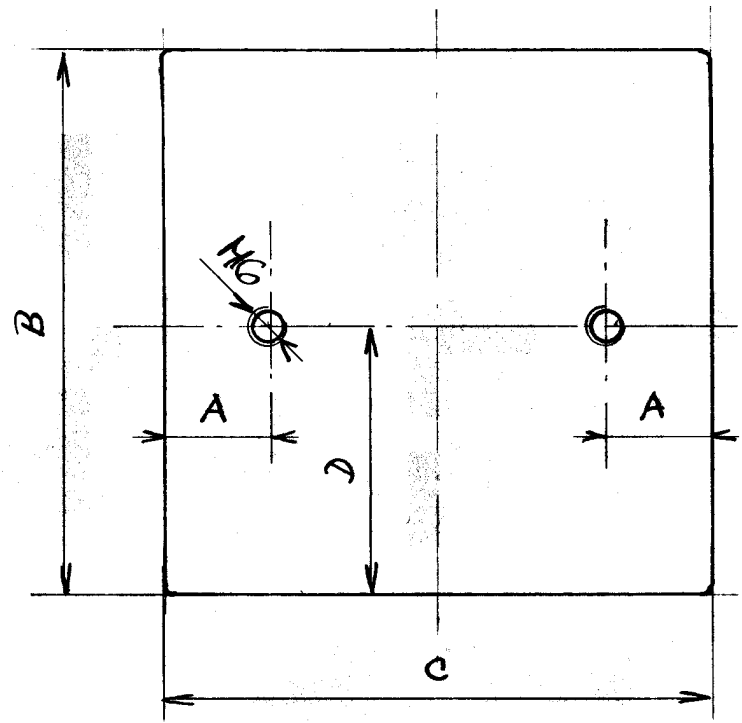


(mm)

BAND	A	B	C	D	E	F
1296	72	145	169	612	30	54
2320	40	81	105	346	20	35

Al. sheet 2mm-2pcs

REAR FEEDHORN PANEL



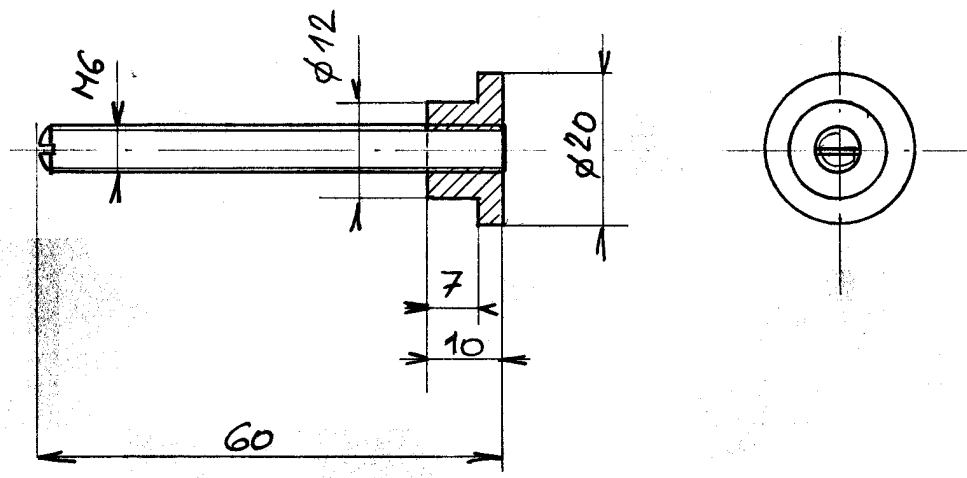
(mm)

BAND	A	B	C	D
1296	21	145	146	72,5
2320	12	81	82	40,5

1Pcs

1Pcs

FEEDHORN TUNING SCREW



2 PCs for each FEED

Material: BRAS (SILBERED)